

DURING THE 90 DAY WARRANTY PERIOD units which qualify for warranty may be returned WITH PROOF OF THE DATE OF PURCHASE to either the dealer where purchased or direct to © Tiger Electronic Toys, 909 Orchard, Mundelein, Ill., 60060. The units must be safely packed, shipped prepaid and insured. The outside of the carton must be clearly marked IN WARRANTY.

AFTER THE 90 DAY WARRANTY PERIOD your defective unit may be returned to © Tiger for repair or replacement (at Tiger's option) at a cost to you of \$ 10.00. This offer is good only for a period of one year from the original date of purchase. To obtain out of warranty service: (A) Repack the unit in its original carton, (B) Enclose proof of purchase date, (C) Enclose your \$ 10.00 check or money order, (D) Be sure to list your name and address, and (E) Mark the outside of the carton OUT OF WARRANTY SERVICE. Send to: ©Tiger Electronic Toys, 909 Orchard, Mundelein Ill., 60060

IMPORTANT NOTICE

IF THE LIGHTS APPEAR TO BE MALFUNCTIONING. THIS IS FIRST SIGN OF BATTERY WEAR. FRESH BATTERIES SHOULD SOLVE THE PROBLEM. FOR LONGER BATTERY LIFE, USE ALKALINE BATTERIES.

TIGER ELECTRONIC TOYS™



2 Games in 1 Safari & Darts

Model No. 7-601

© TIGER ELECTRONIC TOYS

STEP 1 BATTERY

1. Your game uses a 9V battery (not included). Use an alkaline type for longer playing life.
2. Open the battery cover by sliding the cover out as in figure 1. Watch for the proper polarity. When you put the battery in the right way, it will go in easily. Be sure you replace the battery cover.

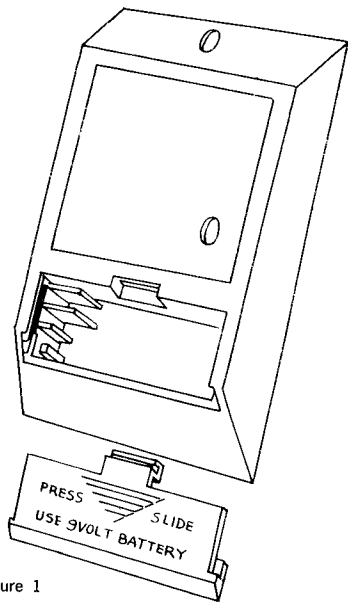


figure 1

STEP 2 PLAYCARD

Your game comes with 2 playcards:

DARTS

SAFARI

You can pick either of the playcards and insert it into the game as in figure 2.

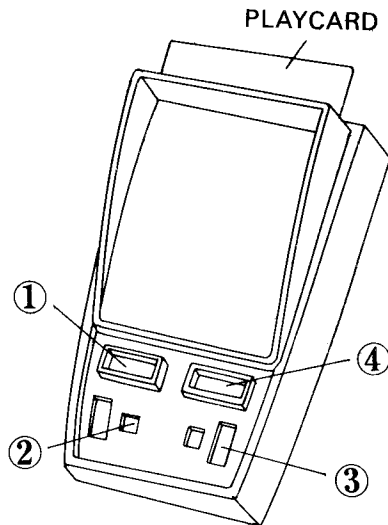


figure 2

STEP 3 PLAYING

1. Turn RESET-ON ① to "ON".
2. Set SCORE ② to "0" and ATTEMPTS ③ to "1".
3. Press PLAY ④ for 1 to 2 seconds and let go. Where the red light stops is your score. Set the SCORE ② forward or backward to the new score. The first player to score above 90 points in 5 attempts wins.

STEP 4

1. Be sure to turn off the game by switching RESET-ON ① to "RESET" position to save battery.
2. If you are not going to play the game for a while, it is best to remove the battery.

90 DAY LIMITED WARRANTY

For 90 days from the date of Purchase, © Tiger Electronic Toys will repair or replace (at Tiger's option) any defect in material or workmanship. The purchaser is responsible for retaining proof of the purchase date.

©Tiger will not be responsible for defects caused by misuse, improper handling or unauthorized repair. This warranty gives you specific legal rights, and you may also have other rights which vary from state to state.